

BASIC LINE

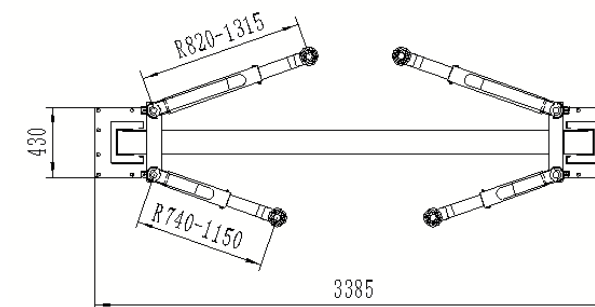
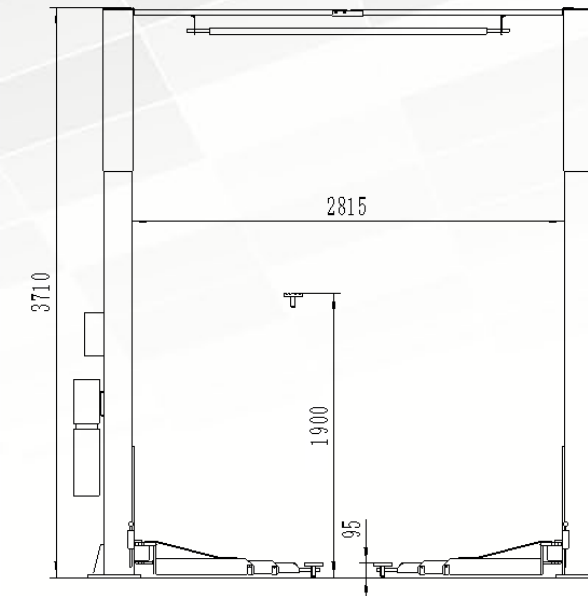
CAV TP4.0L

Overall dimension

Double-side Manual Release 2-Post Lift



4000 | KG



Highlights

- 4000KG (9,000 lbs) lifting capacity, ideal starter model with a TOP price - performance ratio for auto repair workshop
- Double-side manual unlocking system, easy operating and handling
- Strong synchronization cables and PA6 industry-nylon cable pulley ensures safety and durability.
- 2-stage asymmetric and telescopic lifting arms as standard
- Automatic lifting arm lock & unlock system
- Chain lifting system combined with high quality hydraulic cylinders
- Max. lifting height switch protects cylinders and ensures safety
- Low lifting point (95mm), also perfectly suitable for sports vehicles
- Optional features and accessories are available
- Each lift passed the 115% rated capacity (4600KG) dynamic loading test and 150% (6000KG) static loading test

Specifications

	CAV TP4.0L
Capacity	4000kg
Max. Lifting height	1900mm
Min. height	95mm
Lifting time	45-50s
Power of motor	2.2kW